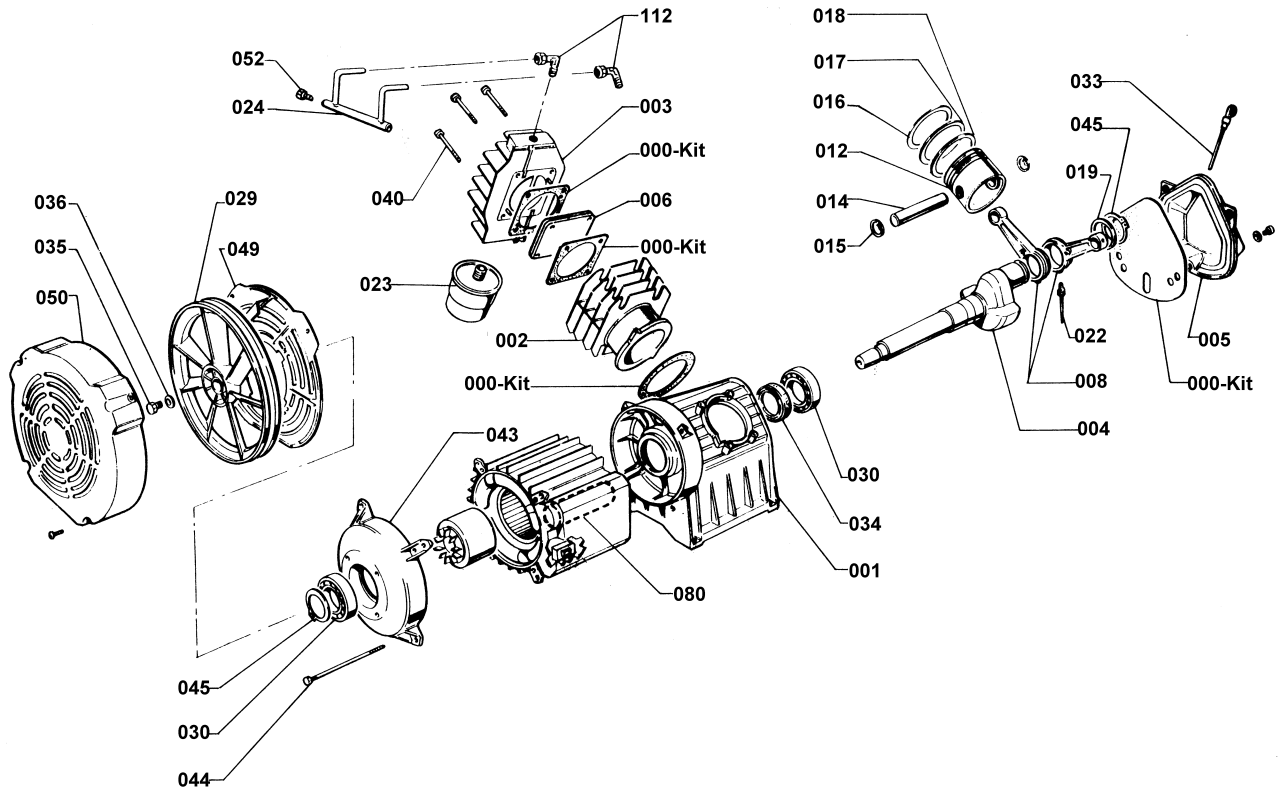
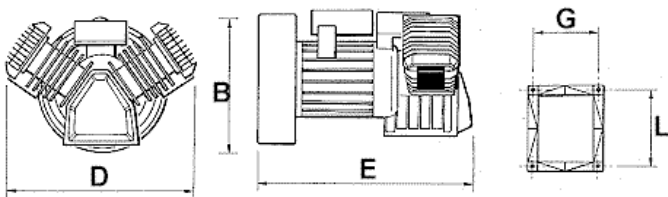


Code: 003B00001

GV 34 - 400V 50Hz - 4P



Dimensions:



In mm

A	B	C	D	E	F	G	L	M	N	P
/	350	/	380	495	/	130	156	/	9	1/2" F

Box Weight: Kg Box Dimensions: W x D x L: x x

Tightening Torques, Cylinder Head:

Bolt Size:	<input type="text" value="M6"/>	
Min Torque:	<input type="text" value="9.3"/>	Nm
Max Torque:	<input type="text" value="11.36"/>	Nm

Technical Data:

Cylinders:	<input type="text" value="2"/>		
Stages:	<input type="text" value="1"/>		
Air Flow:	<input type="text" value="345"/>	L/min	<input type="text" value="12.2"/> cfm
Power:	<input type="text" value="2.2"/>	Kw	<input type="text" value="3"/> HP
Speed:	<input type="text" value="1450"/>	rpm	
Max Pressure:	<input type="text" value="9"/>	Bar	<input type="text" value="131"/> psi

Code: 003B00001

GV 34 - 400V 50Hz - 4P



<i>Svc</i>	<i>Ref</i>	<i>Code</i>	<i>Description</i>	<i>Qty</i>	<i>Modified</i>
<input type="checkbox"/>	001	00 3N60100	Crankase	1	
<input type="checkbox"/>	002	00 3L30000	Cylinder	2	
<input type="checkbox"/>	003	00 1761401	Pump head	2	
<input type="checkbox"/>	004	00 3N60200	Crankshaft	1	
<input type="checkbox"/>	005	00 3N60300	Crankase gasket	1	
<input checked="" type="checkbox"/>	006	00 0540051	Valve plate assy.	2	
<input type="checkbox"/>	008	00 3D10100	Connecting rod	1	
<input type="checkbox"/>	008	00 3D10200	Connecting rod	1	
<input type="checkbox"/>	012	00 3621100	Piston D. Pin D.	2	
<input type="checkbox"/>	012	00 1421100	Piston D. Pin D.	2	28.04.2002
<input type="checkbox"/>	014	00 7921200	Pin	2	
<input type="checkbox"/>	015	00 9140040	Circlip	4	
<input type="checkbox"/>	016	00 9020011	Piston ring AC	2	
<input type="checkbox"/>	017	00 9020041	Piston ring ROS	2	
<input type="checkbox"/>	018	00 9020071	Piston ring ROF	2	
<input type="checkbox"/>	019	00 9004031	Conrod spacing washer	1	14.10.2001
<input type="checkbox"/>	022	00 9014006	Oil dipper	1	
<input checked="" type="checkbox"/>	023	00 6581000	Filter	2	
<input type="checkbox"/>	024	00 9053662	Aftercooler	1	
<input type="checkbox"/>	029	00 2600100	Flywheel	1	
<input type="checkbox"/>	030	00 9170090	Bearing	1	
<input type="checkbox"/>	030	00 9170085	Bearing	1	
<input type="checkbox"/>	033	00 9024020	Oil fill plug	1	
<input type="checkbox"/>	034	00 9163030	Oil seal	1	
<input type="checkbox"/>	036	00 9004008	Fly wheel washer	1	
<input type="checkbox"/>	040	00 9011048	Cylinder head bolts	8	
<input type="checkbox"/>	043	00 3N60400	Motor cover	1	
<input type="checkbox"/>	044	00 9067182	Motor bolts	4	
<input type="checkbox"/>	045	00 9140170	Circlip	1	
<input type="checkbox"/>	045	00 9140130	Circlip	1	14.10.2001
<input type="checkbox"/>	049	00 8356100	Cover	1	
<input type="checkbox"/>	050	00 8356200	Cover plate	1	
<input type="checkbox"/>	060	00 3N50100	Crankase gasket	1	31.03.2002
<input checked="" type="checkbox"/>	062	00 7350300	Cylinder - plate gasket	2	
<input checked="" type="checkbox"/>	063	00 9040029		4	
<input checked="" type="checkbox"/>	064	00 6750400	Plate - head gasket	2	
<input type="checkbox"/>	112	00 9053005	Connection	2	

Svc = Service Item